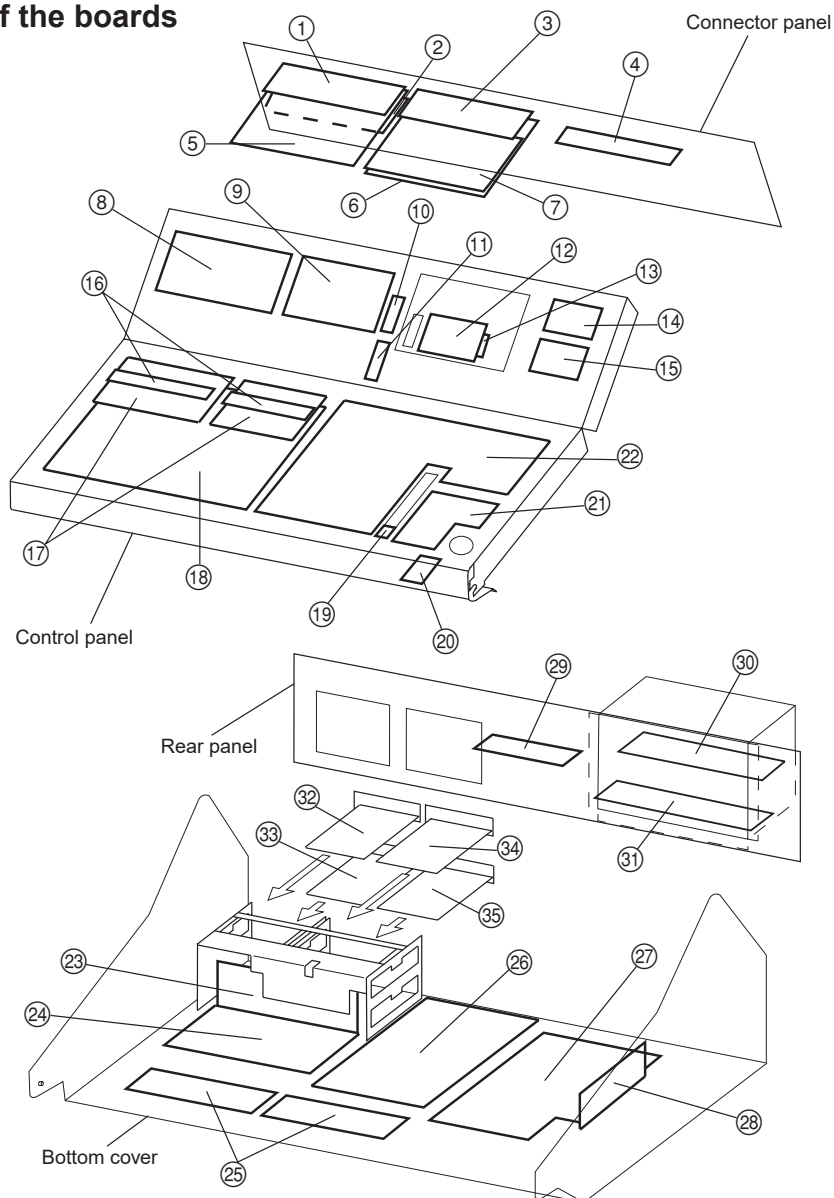


2-2. Location of the boards



• Connector panel sections

- ① CN-1788
- ② AD-158
- ③ CN-1789
- ④ CN-1772
- ⑤ AA-99
- ⑥ DA-137
- ⑦ AA-101

• Analog head amplifier sections

- ⑧ MT-133
- ⑨ MT-133A

• Talk back sections

- ⑩ TB-15
- ⑪ ASW-57

• Display sections

- ⑫ LC-38
- ⑬ CN-1941

• Master sections

- ⑭ MT-134
- ⑮ SW-2
- ⑰ CN-2062

• Automation section

- ⑱ SW-996

• Parameter/Assign section

- ⑳ CP-339

• Channel fader sections

- ㉑ LED-332
- ㉒ FP-116

- ⑳ IF-735

• Headphone section

- ㉓ HP-94

• Rear panel sections

- ㉔ CN-1771
- ㉕ Switching regulator (ZWS75PF-3/J)
- ㉖ Switching regulator (JWT-100-522)

• Bottom cover sections

- ㉗ MB-836
- ㉘ MIX-39
- ㉙ VR-252
- ㉚ CPU-284
- ㉛ DC-102

- ㉜ AC-199B

• Optional boards

- ㉝ ~ ㉞
- ADC-39 (DMBK-R101)
- DAC-36 (DMBK-R102)
- DIO-51 (DMBK-R103)
- DI-35 (DMBK-R104)
- ADA-56 (DMBK-R105)
- IF-736 (DMBK-R106)
- IF-737 (DMBK-R107)